

Engine	Yanmar
Model	4TNV88-BSBKC
Gross Power	27.1 kW (36.3 hp) @ 2,200 rpm
Net Power	25.2 kW (33.8 hp) @ 2,200 rpm
Maximum Digging Depth	3,100 mm
Standard Bucket Capacity	0.11 m <sup>3</sup>
Operating Weight	4,000 kg

# CLG904D Excavator



TOUGH WORLD. TOUGH EQUIPMENT.

**ENGINE**

Emission Regulation	Stage IIIA
Make	Yanmar
Model	4TNV88-BSBKC
Gross Power	27.1 kW (36.3 hp) @ 2,200 rpm
Net Power	25.2 kW (33.8 hp) @ 2,200 rpm
Peak Torque	141.7 N · m @ 1,320 rpm
Number of Cylinders	4
Displacement	2.19 L

**TRACK DRIVE**

Maximum Travel Speed	4.4 km/h
Gradeability	58 %
Drawbar Pull	17.7 kN

**UNDERCARRIAGE**

Shoe Width	300 mm
Number of Shoes per Side	82
Number of Upper Rollers per Side	1
Number of Bottom Rollers per Side	4

**HYDRAULIC SYSTEM**

Main Pumps Total Flow	128.6 L/min
Relief Pressure, main	20.6 MPa
Pilot Pump Flow	10.8 L/min

**SWINGSYSTEM**

Swing Speed	11.1 rpm
-------------	----------

**REFERENCE ARM**

Arm Length	1,360 mm
Arm Breakout Force, normal, ISO	17.6 kN

**WORKING RANGES**

Maximum Dig Depth	3,100 mm
Reach at Ground Level	5,220 mm
Depth of 8' Level Bottom	2,620 mm
Maximum Dig Height	5,000 mm
Dump Height	3,600 mm
Maximum Dig Depth of Vertical Wall	2,040 mm

**BUCKETPERFORMANCE**

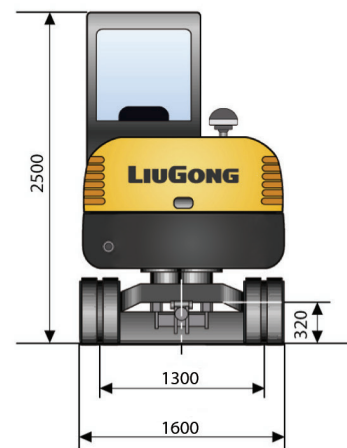
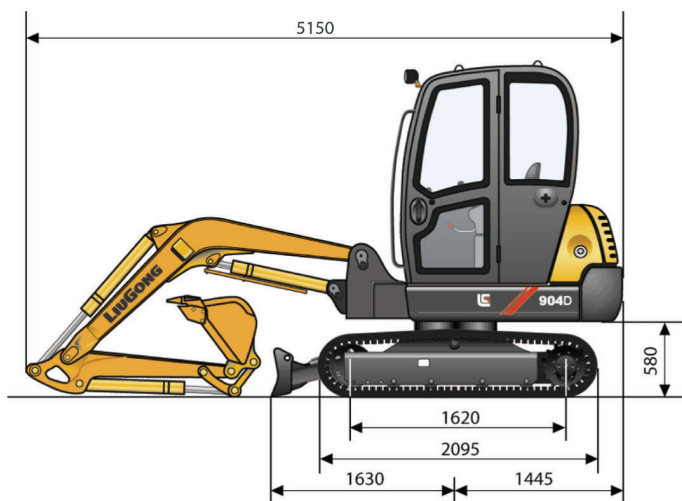
Standard Bucket Heaped Capacity (Referenced)	0.11 m <sup>3</sup>
Minimum Heaped Capacity of Bucket Options	0.06 m <sup>3</sup>
Maximum Heaped Capacity of Bucket Options	0.14 m <sup>3</sup>
Bucket Breakout Force, normal, ISO	28.3 kN

**SERVICE CAPACITIES**

Fuel Tank	55 L
Engine Oil	6.5 L
Cooling System	9 L
Hydraulic Reservoir	58 L
Hydraulic System Total	75 L

Bucket: SAE 0.12 m <sup>3</sup> , Boom: 2,600 mm, Arm: 1,360 mm, Shoes: 300 mm										
Lift Point Height		2 m		3 m		4 m		Max. Reach		
		kg	kg	kg	kg	kg	kg	Front	Side	mm
3 m	kg					※580	※580	※590	570	4,180
2 m	kg			※770	※770	※640	590	※610	470	4,580
1 m	kg	※2,210	1,500	※1,060	850	※740	560	※640	440	4,690
0	kg	※2,330	1,450	※1,230	810	※810	540	※690	450	4,540
-1 m	kg	※2,080	1,460	※1,190	800	※770	530	※740	510	4,100

1. ※ Indicates the load is limited by hydraulic capacity rather than tipping capacity.  
 2. The above rated loads are in compliance with ISO 10567 hydraulic excavator lift capacity rating standard. They do not exceed 87% of hydraulic lifting capacity or 75% tipping load.  
 3. Ratings at bucket lift hook.



Unit: mm

**Guangxi Liugong Machinery Co., Ltd.**

No. 1 Liutai Road, Liuzhou, Guangxi 545007, PR China  
 T: +86 772 3886124 E: overseas@liugong.com  
 www.liugong.com

04/2014 Designed by Liugong